



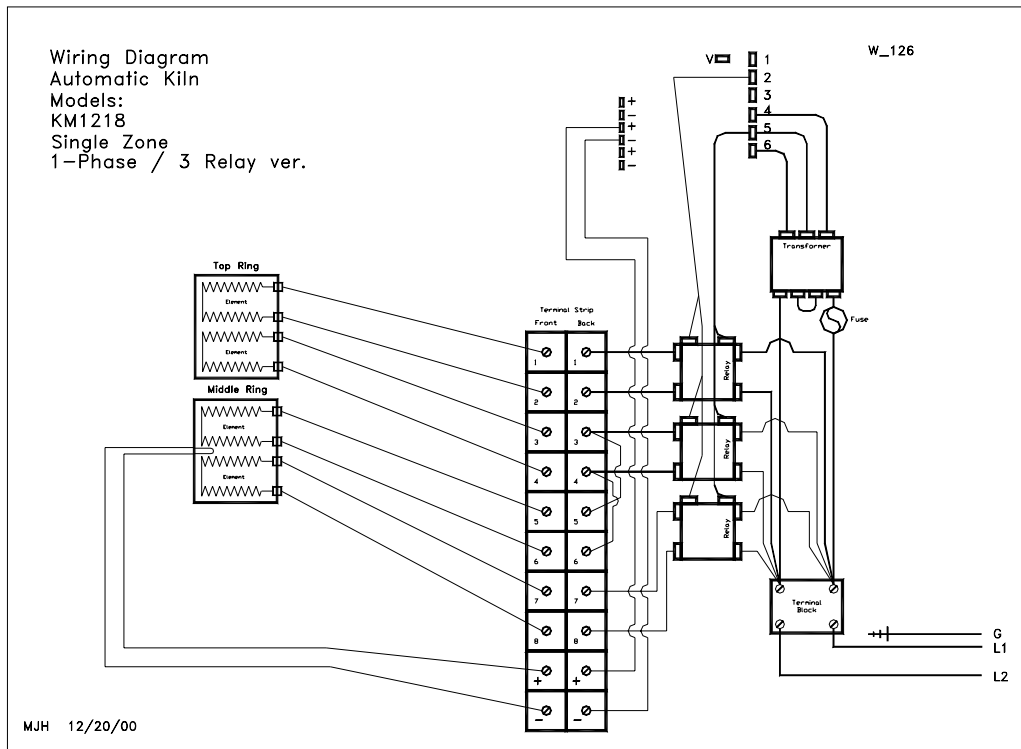
KM1218-3 Addendum

KM1218-3 INFORMATION

The KM1218-3 is a new model and has not yet been added to the KM Operating Manual. All of the instructions pertaining to the standard KM Kiln line should pertain to this model. Included in this addendum are the wiring diagrams and electrical specifications.

Electrical Requirements

Model	Phase	Volts	Amps	Watts	Copper Wire Size	Fuse or Breaker Size	NEMA Receptacle Configuration
KM1218-3	1	240	48	11520	6	60	6-50
KM1218-3	1	208	48	9984	6	60	6-50
KM1218-3	3	240	29.5	11520	10	40	15-50
KM1218-3	3	208	29.5	9984	10	40	15-50



ADDENDUM

(continued)

KM1218-3 ADDENDUM CONTINUED

