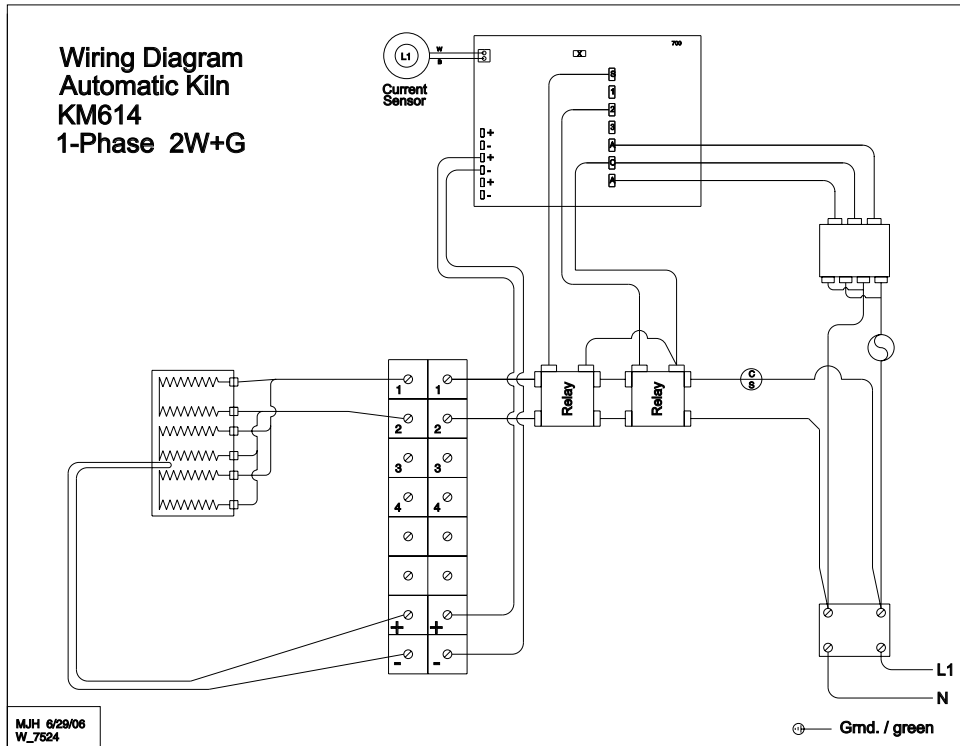
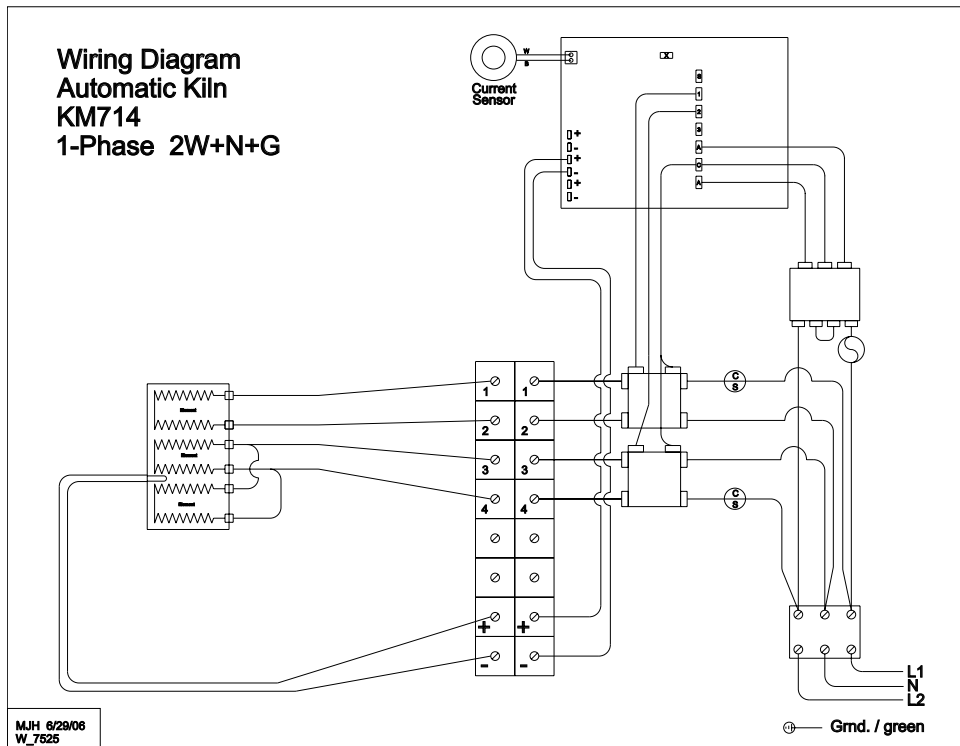


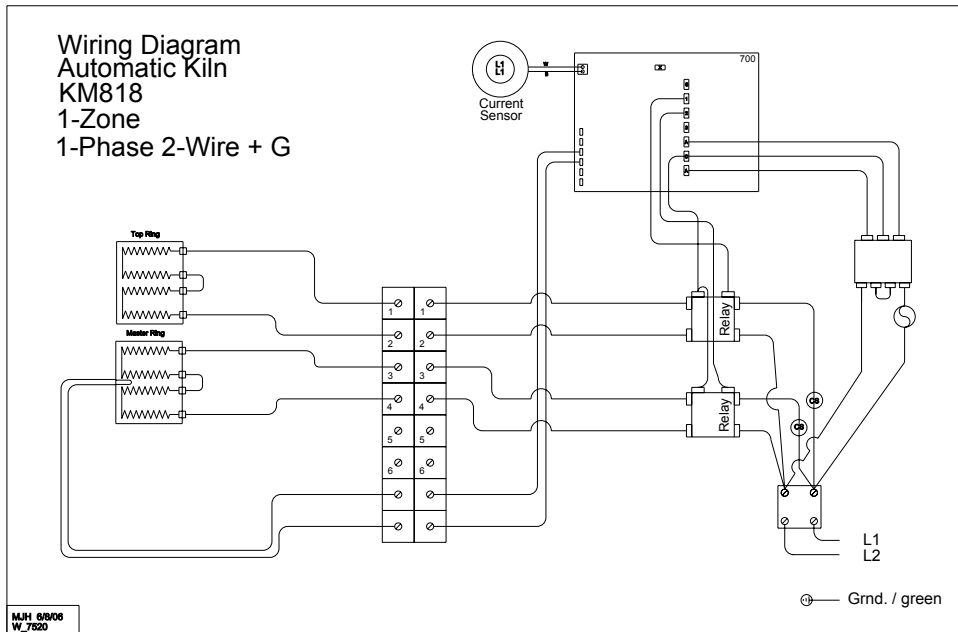
KM614



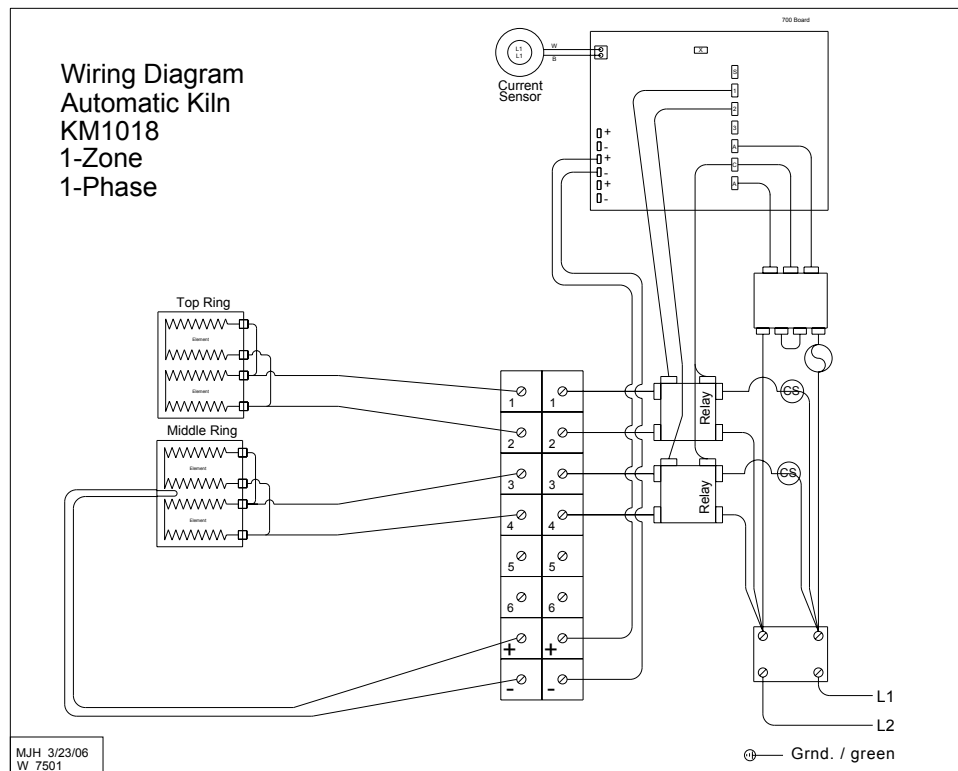
KM714



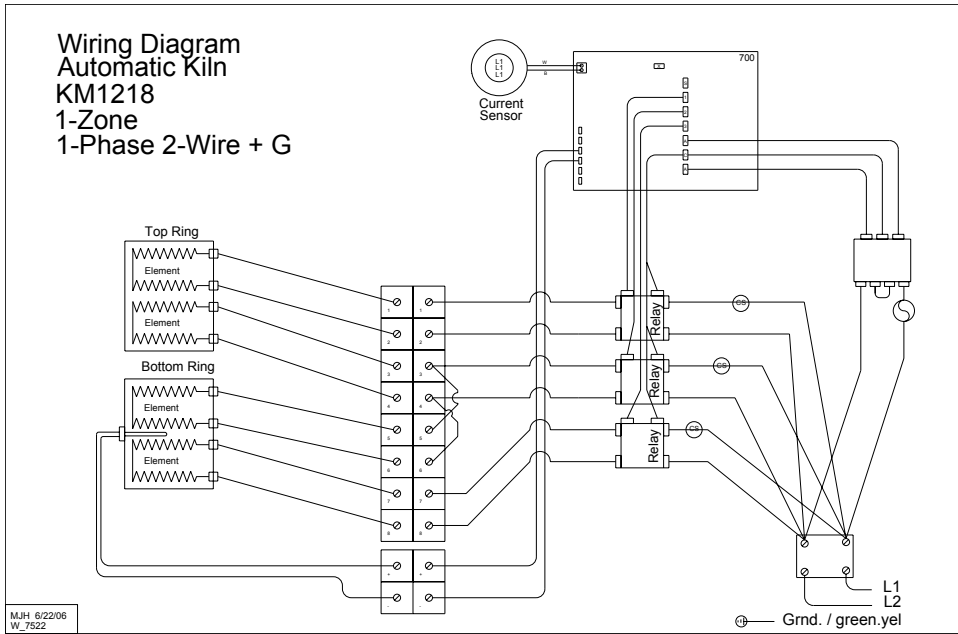
KM818, KM818-30A



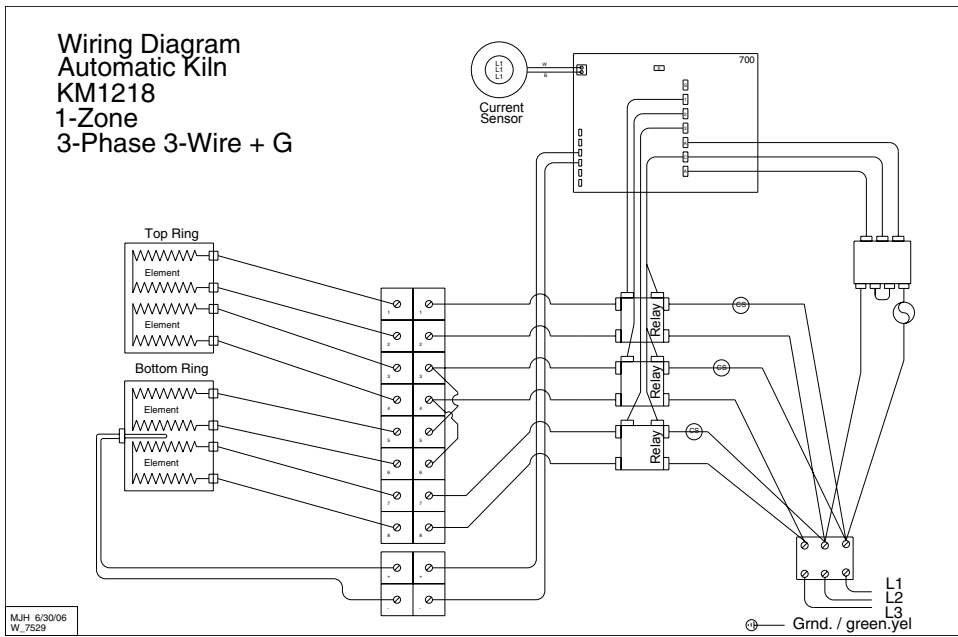
KM1018



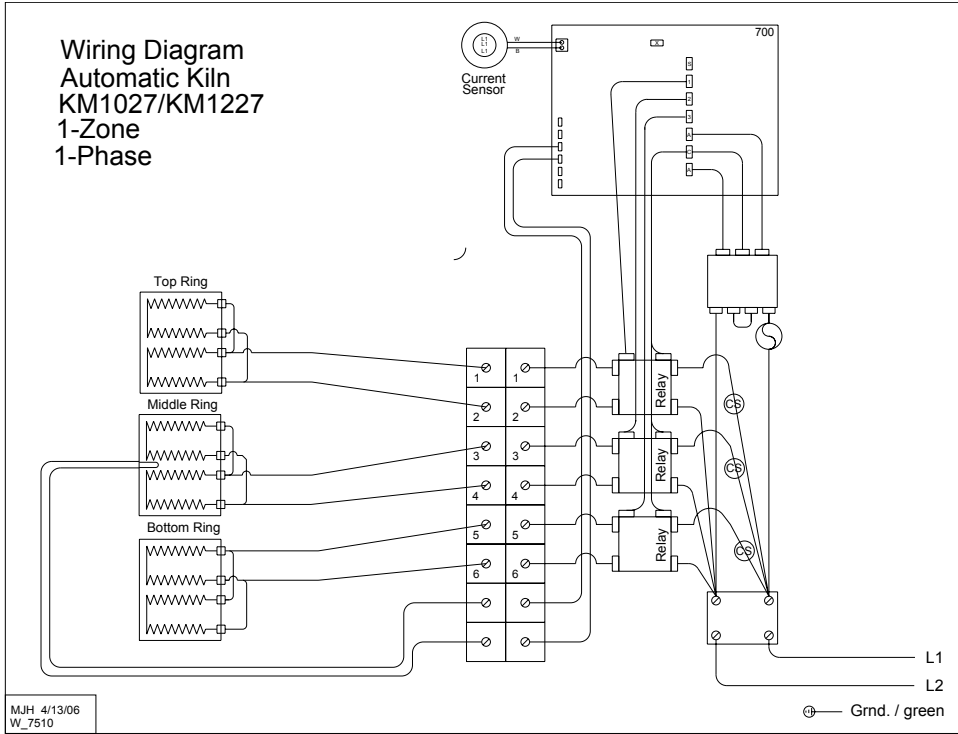
KM1218-3



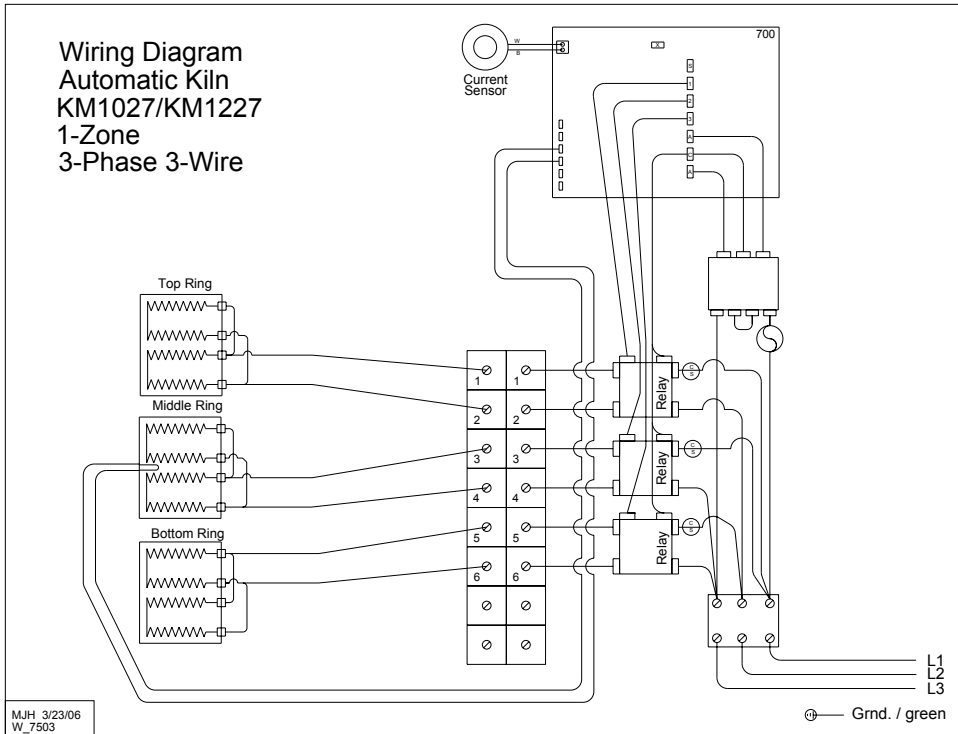
KM1218 3 PHASE



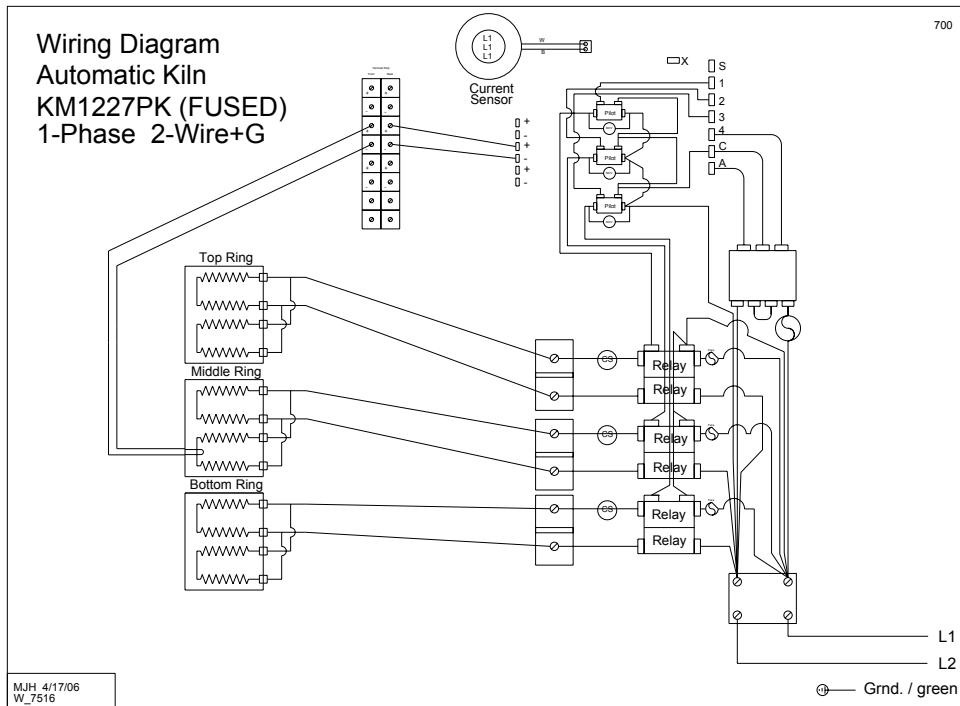
KM1027/KM1227



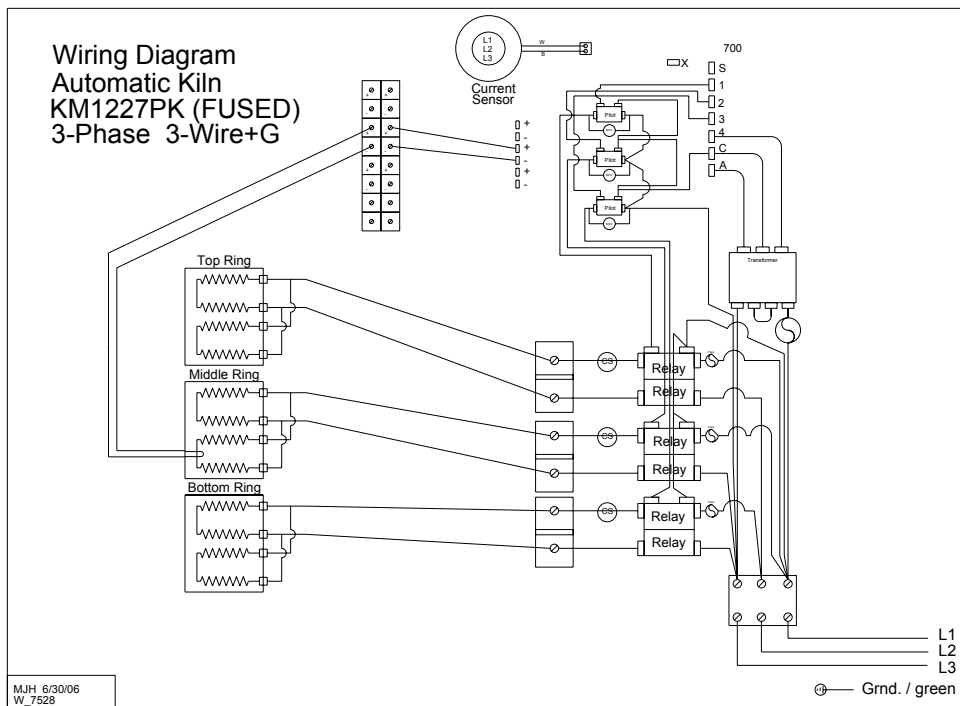
KM1027 3 PHASE/KM1227-3 PHASE



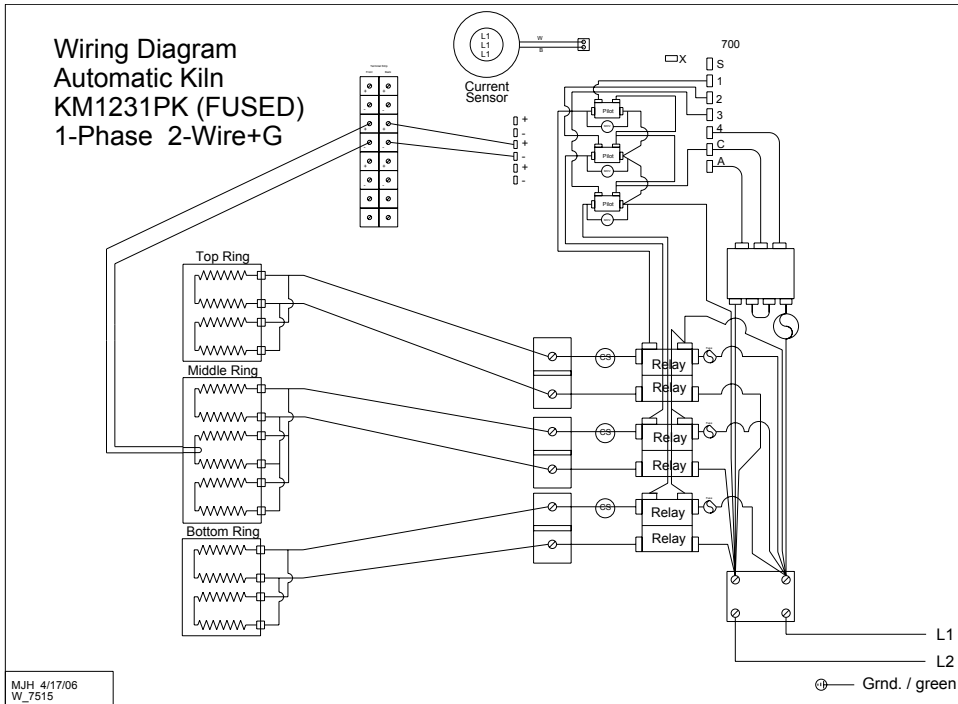
KM1227-3 PK



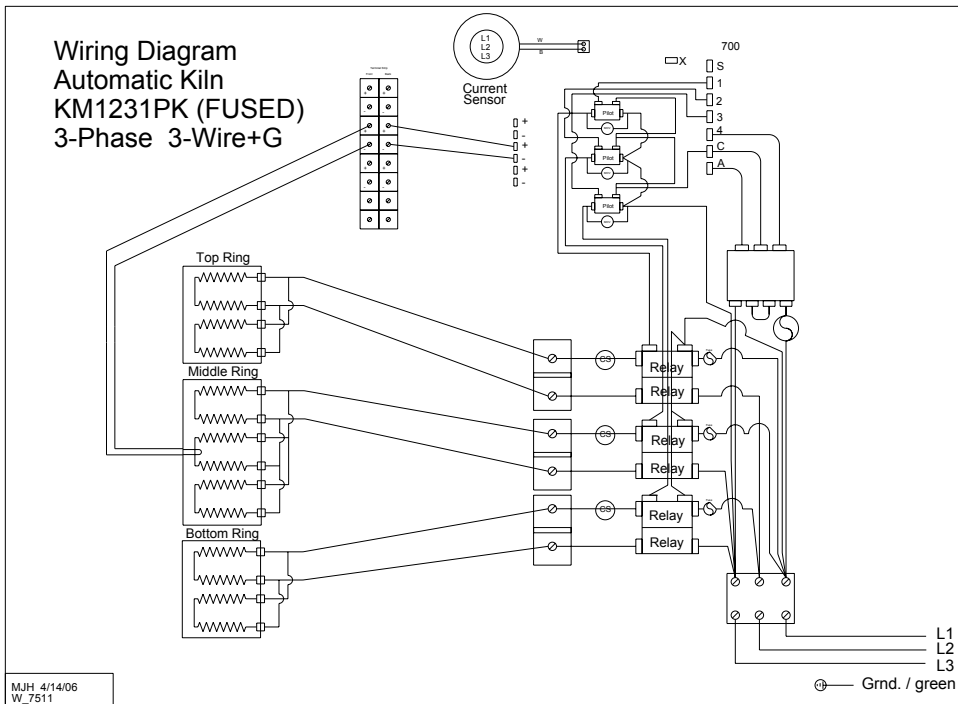
KM1227-3 PK 3 PHASE



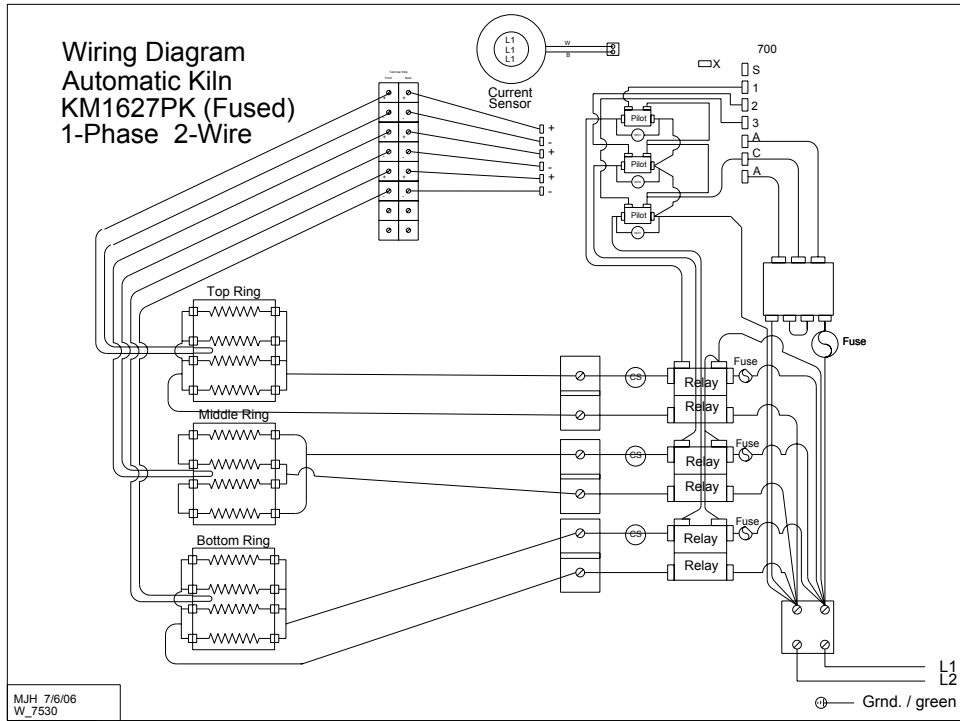
KM1231-3 PK



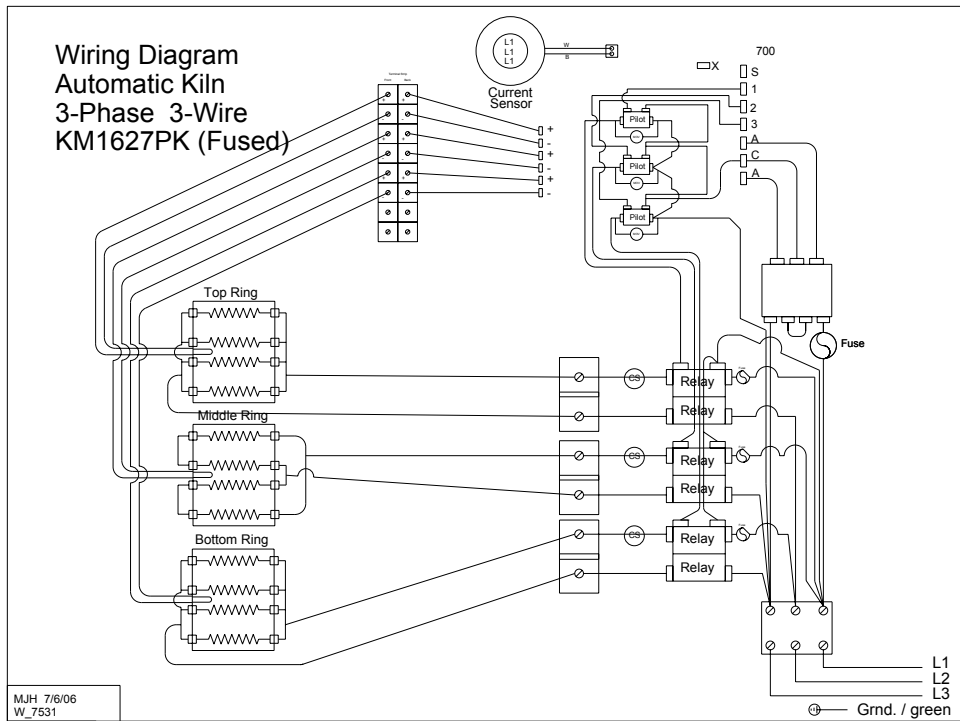
KM1231-3 PK 3 PHASE



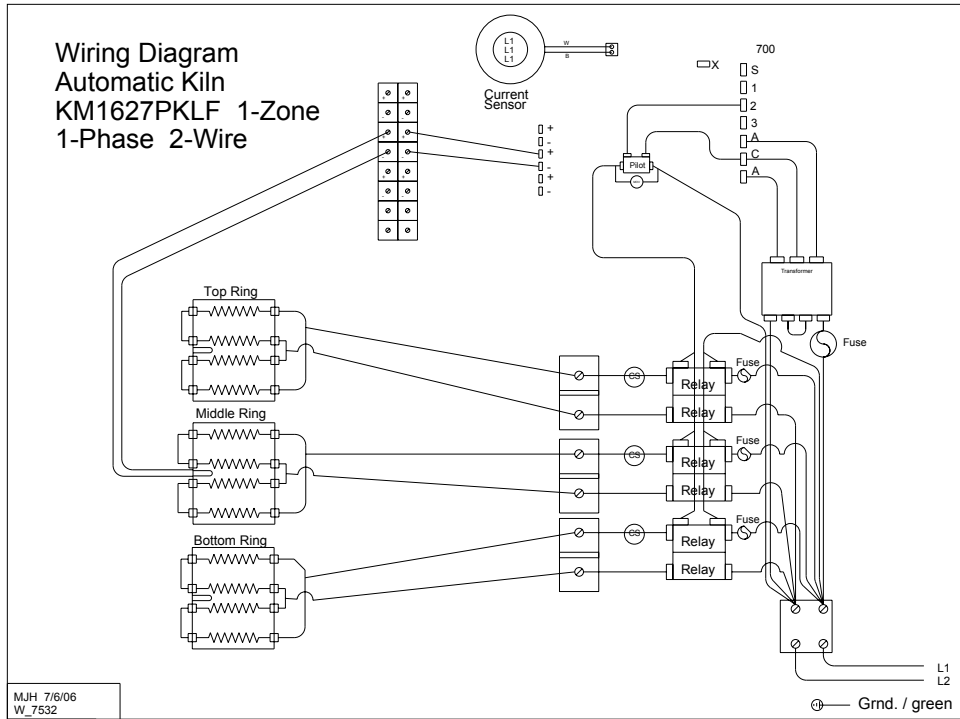
KM1627-3 PK 1 PHASE



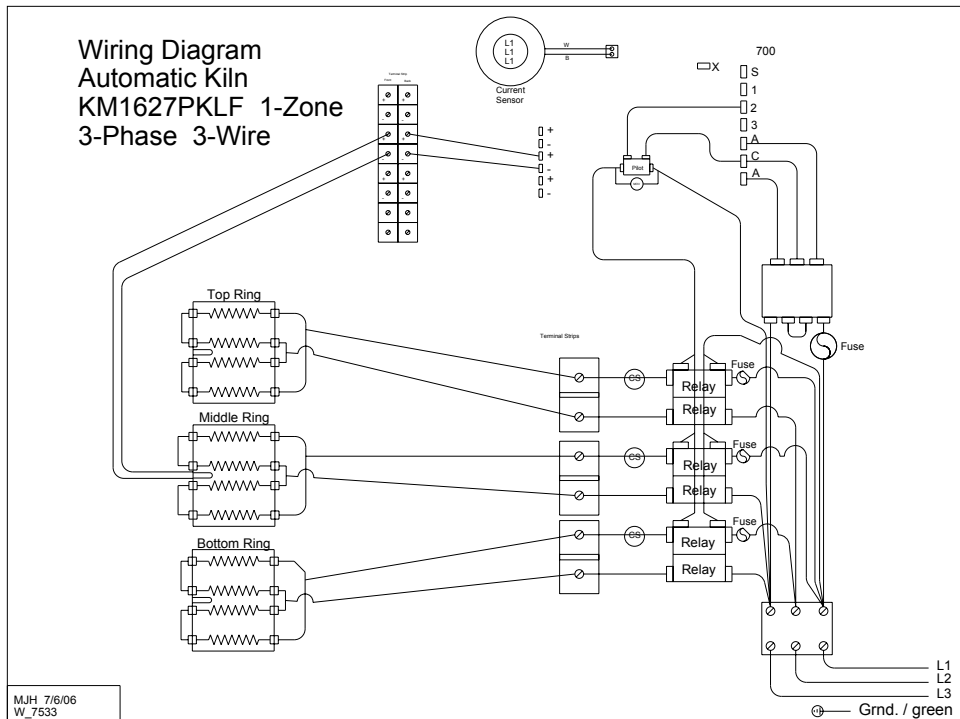
KM1627-3 PK 3 PHASE



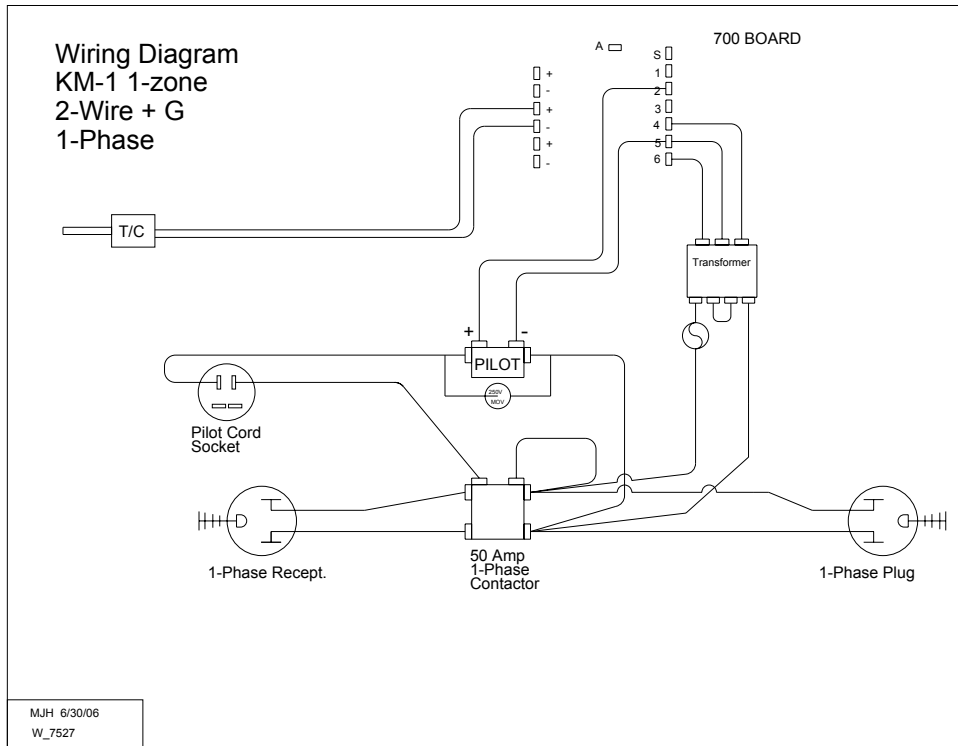
KM1627-3 LF 1 PHASE



KM1627-3 LF 3 PHASE



KM-1 1 PHASE



KM-1 3 PHASE

