



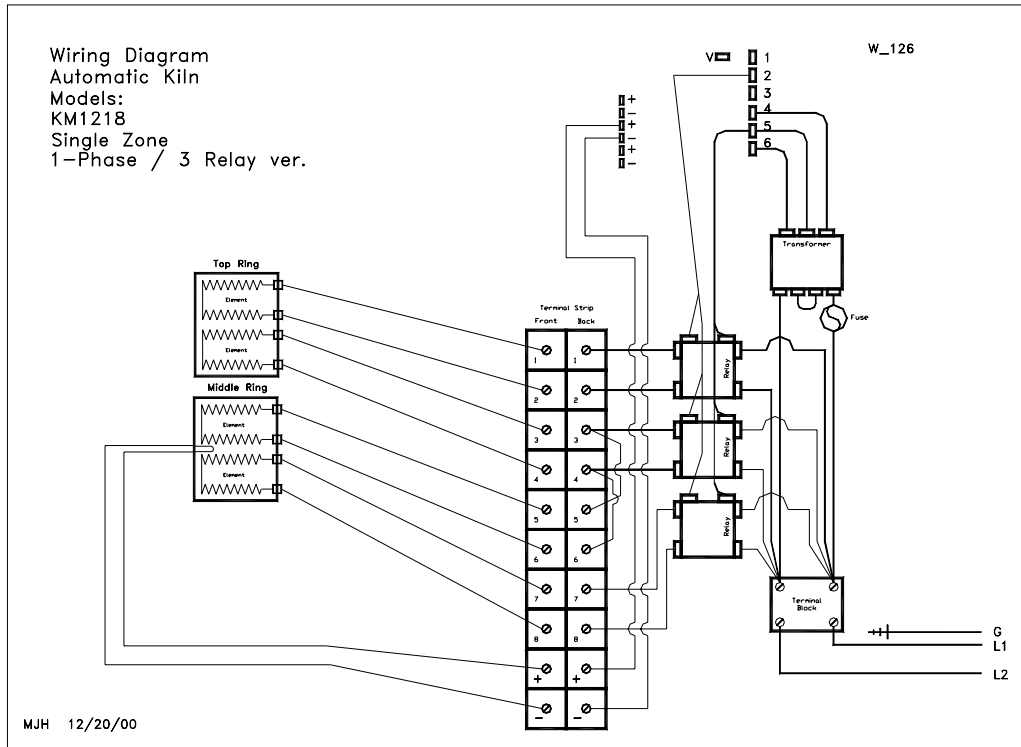
# KM1218-3 Addendum

## KM1218-3 INFORMATION

The KM1218-3 is a new model and has not yet been added to the KM Operating Manual. All of the instructions pertaining to the standard KM Kiln line should pertain to this model. Included in this addendum are the wiring diagrams and electrical specifications.

### Electrical Requirements

| Model    | Phase | Volts | Amps | Watts | Copper Wire Size | Fuse or Breaker Size | NEMA Receptacle Configuration |
|----------|-------|-------|------|-------|------------------|----------------------|-------------------------------|
| KM1218-3 | 1     | 240   | 48   | 11520 | 6                | 60                   | 6-50                          |
| KM1218-3 | 1     | 208   | 48   | 9984  | 6                | 60                   | 6-50                          |
| KM1218-3 | 3     | 240   | 29.5 | 11520 | 10               | 40                   | 15-50                         |
| KM1218-3 | 3     | 208   | 29.5 | 9984  | 10               | 40                   | 15-50                         |



ADDENDUM

(continued)

KM1218-3 ADDENDUM CONTINUED

